
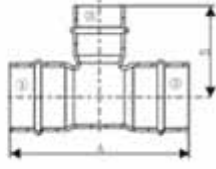

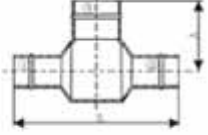
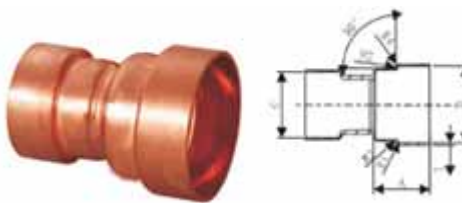
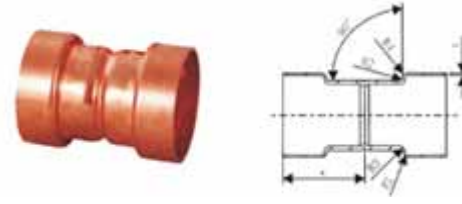
 Copper pipe fittings	Reducing Tee: With Auxiliary Tin(C*C*C) DY-7031			
	DN	DW	A	B
	19/16/19	18/15/18	46	24.5
	20/19/20	22/15/22	57	27.5
	20/16/20	22/18/22	61	29
	25/16/25	28/15/28	67	32
	25/16/25	28/15/28	76	30.5
	25/20/25	28/22/28	69	30.5
	32/25/32	35/28/35	74	40

  Copper pipe fittings	Reducing Tee: With Auxiliary Tin(C*C*C) DY-7032			
	DN	DW	A	B
	16/16/15	18/18/15	48	23
	19/19/16	22/22/18	58	27
	20/20/18	28/28/22	65	38
	25/25/20	35/35/28	82	41
	32/32/25	42/42/35	99	49
	40/40/32	54/54/42	106	60

  Copper pipe fittings	Reducing Tee: With Auxiliary Tin(C*C*C) DY-7033			
	DN	DW	A	B
	10/10/16	12/12/15	44	22
	16/16/19	15/15/18	50	26
	16/16/22	18/18/22	58	30
	19/19/22	22/22/28	72	36
	20/20/25	28/28/35	88	43
	20/20/32	35/35/42	106	52
25/25/32	42/42/54	128	56	

 <p>Copper pipe fittings</p>	Reducing Straight-through (Rubber Gasket Sealing C*C) DY-7034						
	DN(in)	A	R1	R2	R	R4	T
	3/8	19.25	0.8	0.2	1	0.4	0.8
	1/2	19.4	0.8	0.2	1	0.4	0.85
	5/8	19.6	0.8	0.2	1	0.4	0.9
	3/4	21.5	0.8	0.2	1	0.4	1.0
	1"	22.5	0.8	0.2	1	0.4	1.1
	1 1/4	31.15	0.8	0.2	1	0.4	1.2
	1 1/2	33.95	0.8	0.2	1	0.4	1.35
	2"	37.5	0.8	0.2	1	0.4	1.8

 <p>Copper pipe fittings</p>	Constant Diameter Straight-through (Rubber Gasket Sealing C*C) DY-7035								
	DN(in)	A	B	C	R1	R2	R3	R4	T
	3/8	19.25	9.67	12.85	0.8	0.2	1	0.4	0.8
	1/2	19.4	12.85	16.02	0.8	0.2	1	0.4	0.85
	5/8	19.6	19.2	22.37	0.8	0.2	1	0.4	0.9
	3/4	21.5	22.37	28.75	0.8	0.2	1	0.4	1.0
	1"	22.5	28.75	35.1	0.8	0.2	1	0.4	1.1
	1 1/4	31.15	35.1	41.47	0.8	0.2	1	0.4	1.2
	1 1/2	33.95	41.47	41.47	0.8	0.2	1	0.4	1.35
	2"	37.5			0.8	0.2	1	0.4	1.8